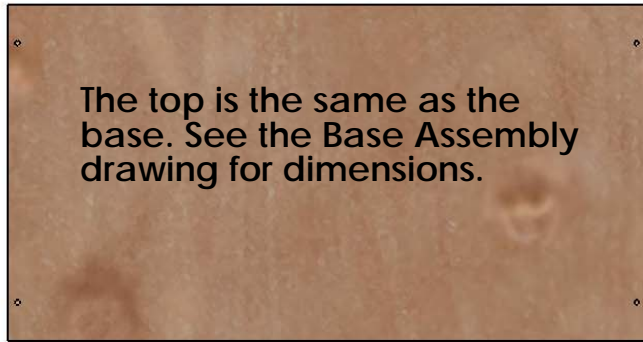
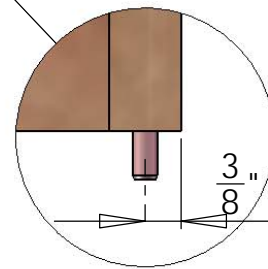
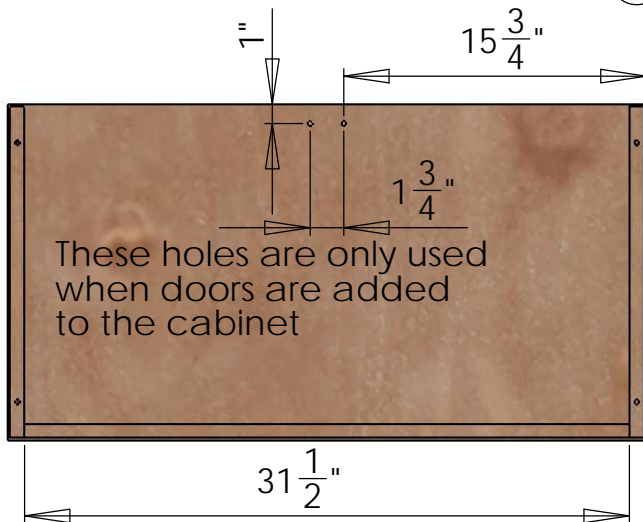
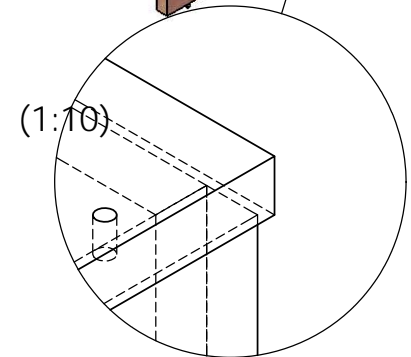
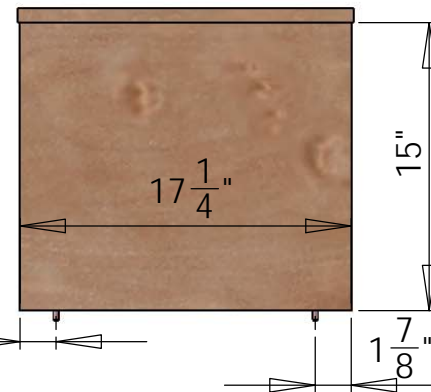
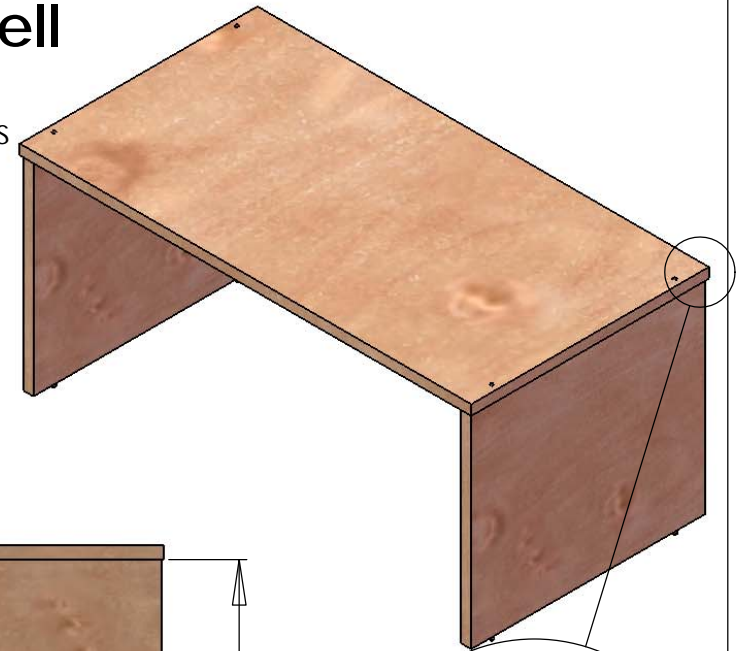
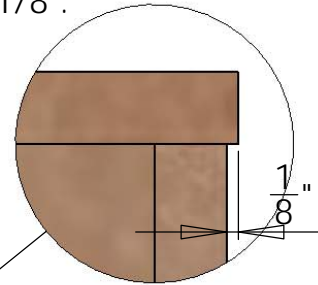


Stackable Wall Unit - Cabinet Shell



The Shell top overhangs the sides and back by 1/8".



Materials:

- (1) Shell Top - 3/4" Plywood wrapped with iron on edge banding.
- (2) Shell sides - 3/4" Plywood: wrap the front and back with edge banding.
- (1) Shell back - 3/4" plywood: no edge banding.
- (4) 1/4" x 1" dowels.

Note: Use dowels or biscuits to glue the sides to the back. You can glue the top using a brad nailer as the holes will not be seen when the next unit is mounted on top.

WoodworkingPlans4Free.com

TITLE: **Free Stackable Wall Unit Plan**

SIZE A	DWG. NO.	REV. A
---------------	----------	--------

SCALE: 1:8	SHEET 3 OF 7
------------	--------------